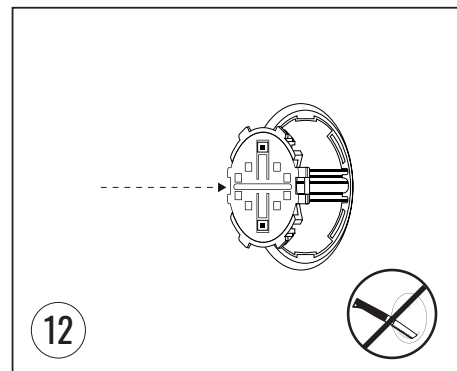
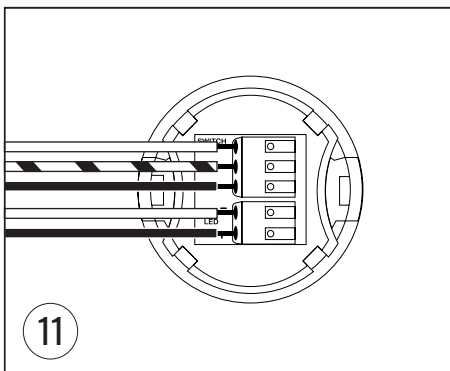
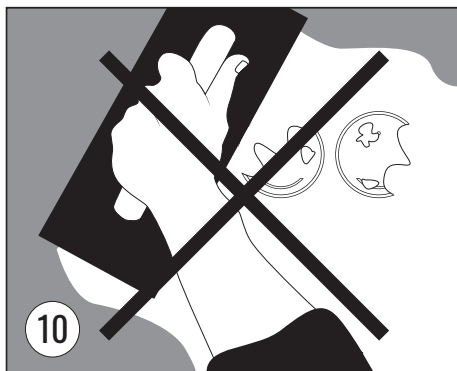
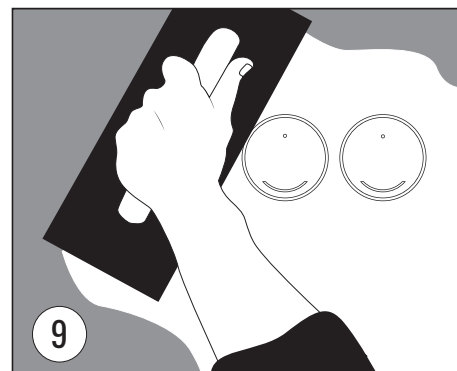
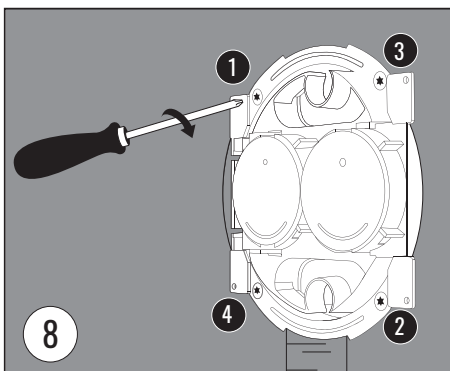
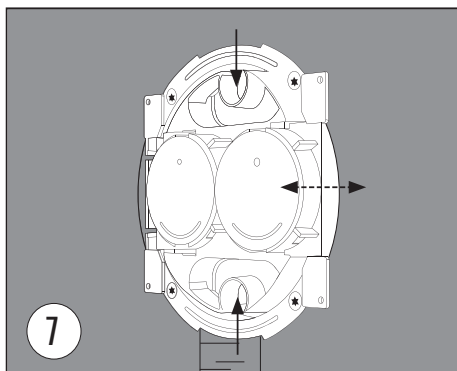
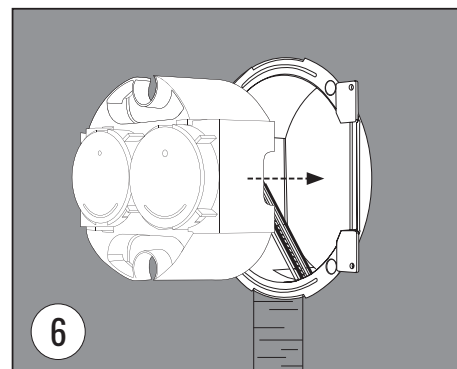
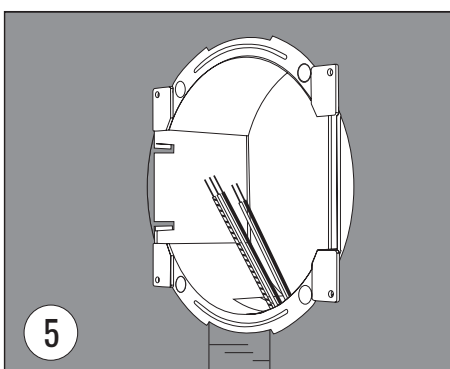
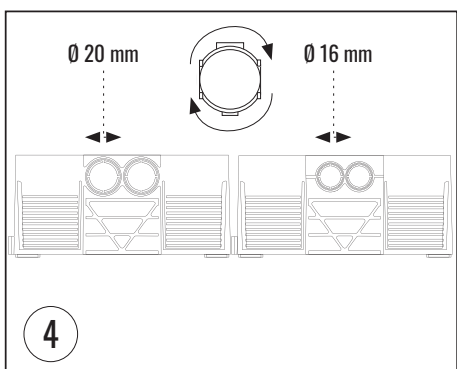
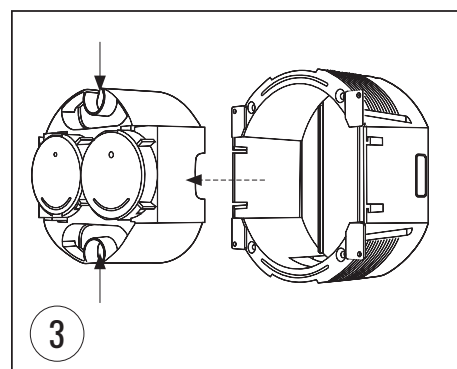
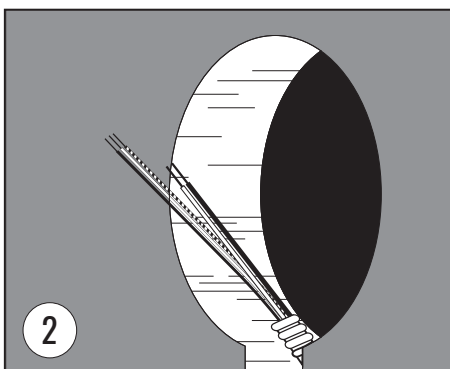
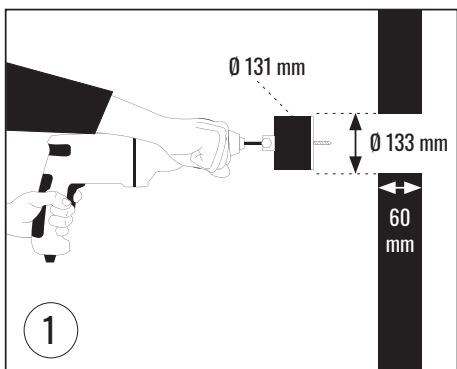


# ROND

S2PFB S2PFW S2PFPB S2PFMB S2PFCB S2PFBB S2PFDB S2PFPS S2PFMS  
S4PFB S4PFW S4PFPB S4PFMB S4PFCB S4PFBB S4PFDB S4PFPS S4PFMS

# R O N D



# ROND

S2PFB S2PFW S2PFPB S2PFMB S2PFCB S2PFBB S2PFDB S2PFPS S2PFMS  
S4PFB S4PFW S4PFPB S4PFMB S4PFCB S4PFBB S4PFDB S4PFPS S4PFMS

# R O N D

